

SPECIFICATIONS

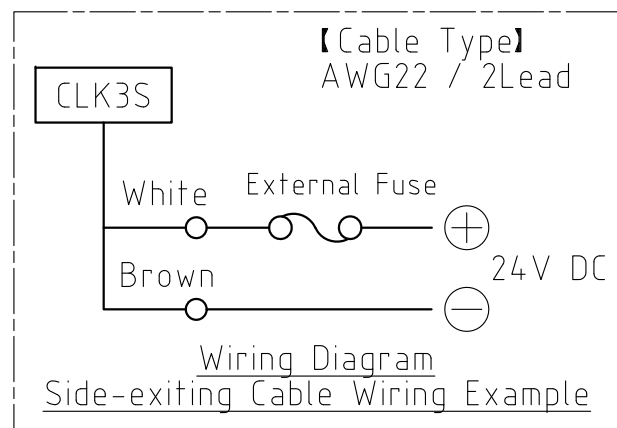
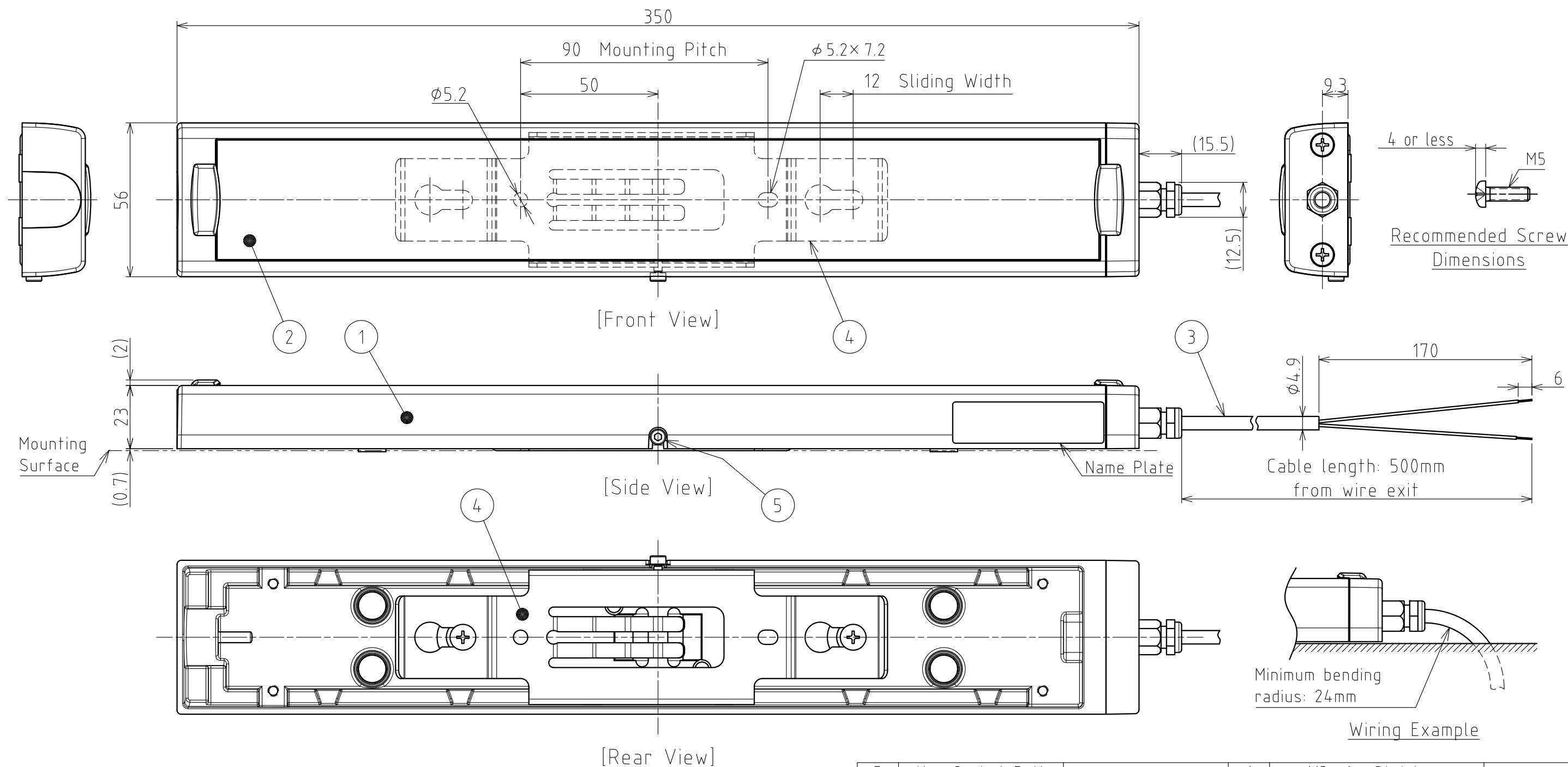
[General Specifications]

Model	CLK3□-24AG	
Color Code	CD	CN
Luminous Color	Daylight	Natural White
Color Temperature (typ.)	6500 K	5000 K
Illuminance (typ.) (Center, at 24V DC)	1.0m	1200 lx
	2.0m	300 lx
Total Luminous Flux (typ.)	1300 lm	
Rated Voltage	24V DC (Polarized)	
Operating Voltage Range	24V DC ±10%	
Rated Current Consumption	522 mA ±10%	
Rated Power Consumption	12.5 W	
Operating Ambient Temperature	-40°C ~ +60°C	
Operating Ambient Humidity	90%RH or less, no condensation	
Main Unit Material	Body : Aluminum Alloy , Lens : Tempered Glass	
Mounting Location	Indoor	
Mounting Direction	All Directions	
Protection Rating	IP66G/67G (JIS C0920) / 69K (DIN 40050 part9)	
Environmental Condition	Cable Connector not included	
Insulation Resistance	More than 5MΩ at 500V DC between the terminals and the chassis	
Withstand Voltage	500V AC applied for 1min between terminals and chassis without breaking insulation	
Vibration Resistance	19.6 m/s ² (JIS C 0911-1984)	
Mass (Tolerance ±10%)	600g; Standard Bracket: 76g (Qty: 1pc.)	
Dimensions	Refer to Outer Dimension Drawing	
Conformity Standards	Conforms to the CE requirements: EN 55015, EN 61000-6-2 RoHS Directive(DIRECTIVE 2011/65/EU) UL Listed (File No.E306141) : CLK3S-24AG UL Recognized (File No.E306141) : CLK3C-24AG, CLK3CL-24AG	
Remarks	<p>• Model Number Configuration</p> <div style="text-align: center;"> </div> <ul style="list-style-type: none"> ● Connector Specifications S : Side-exiting Cable C : M12 Connector CL : M12 Daisy Link ● Luminous Color CD : Daylight / CN : Natural White ● Main Unit Material AG : Body - Aluminum Alloy Lens - Tempered Glass <p>※1 Specifications and dimensions may change without prior notice for improvements, etc. ※2 Due to the characteristics of the LED, color temperature, brightness and hue will differ for every LED and every product. ※3 When using the Optional Daisy Link Cable, a voltage drop may occur due to the current consumption. ※4 The results of the Protection Rating is determined with the Optional cables connected during testing. ※5 This product's illuminance may be affected when used in airtight conditions.</p>	

No. CLK3S-24AG-W18E-1_3

PATLITE Corporation

Product sliding direction for attachment. (Note 1) 



[Note]

1. Attachment of the product is done by sliding it into the Standard Bracket (Refer to figure on the right). It is also possible to rotate the Standard Bracket 180 degrees to slide it in the opposite direction.

2. An option bracket is also available.
Part Number: CLK-001,SZ-320KS,SZ-330KP
(Refer to the bracket specifications for details.)

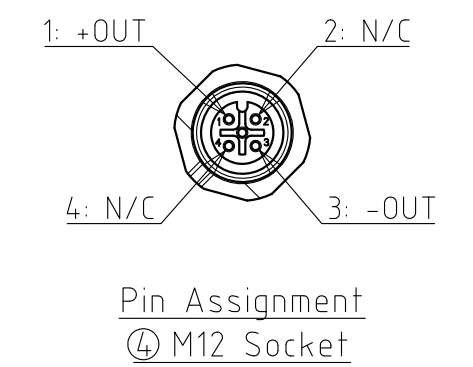
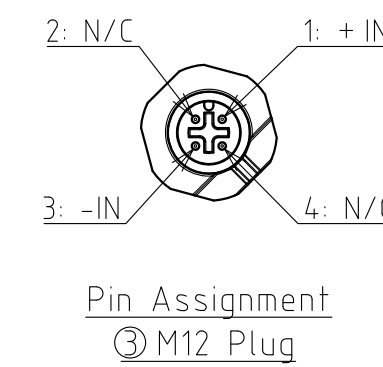
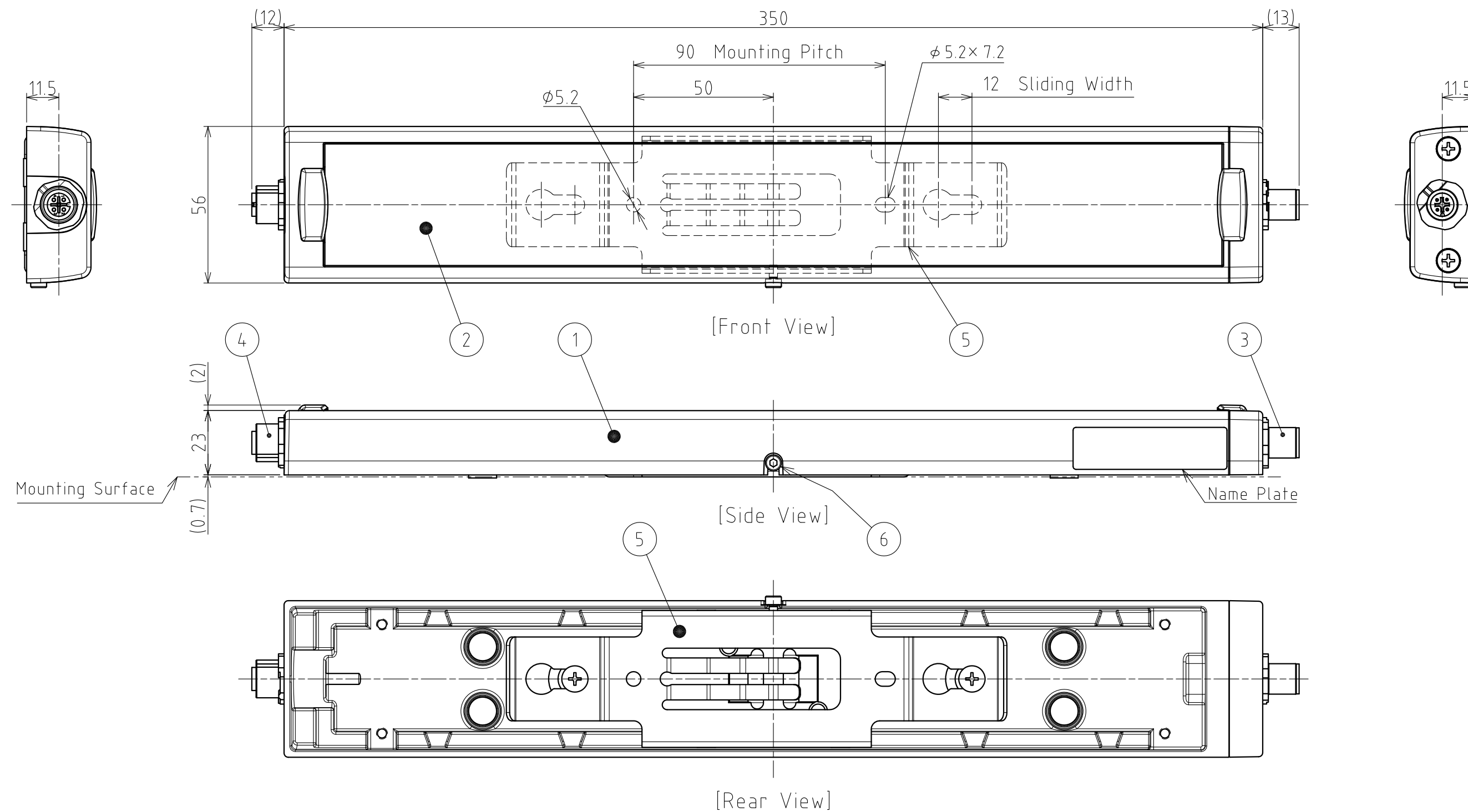
5	Hex Socket Bolt		1	M3×6 , Stainless	
4	Standard Bracket		1	Stainless	
3	Power Cable		1	AWG22 / 2Lead	
2	Glass (Lens)		1	Tempered Glass	
1	Body		1	Aluminium Alloy	
番号 No.	部品名 Part Name	品目コード Part No.	数量 Qty.	材料 & 寸法 & 処理 Material & Size & Finish	記事 Remarks

CLK3S-24AG
Outer Dimension Drawing

株式会社 パトライト
PATLITE Corporation

CLK3S-24AG-W18E-2_3

Product sliding direction for attachment. (Note 1) →



[Table 1]

Model	④ M12 Socket
CLK3C-24AG	0
CLK3CL-24AG	1

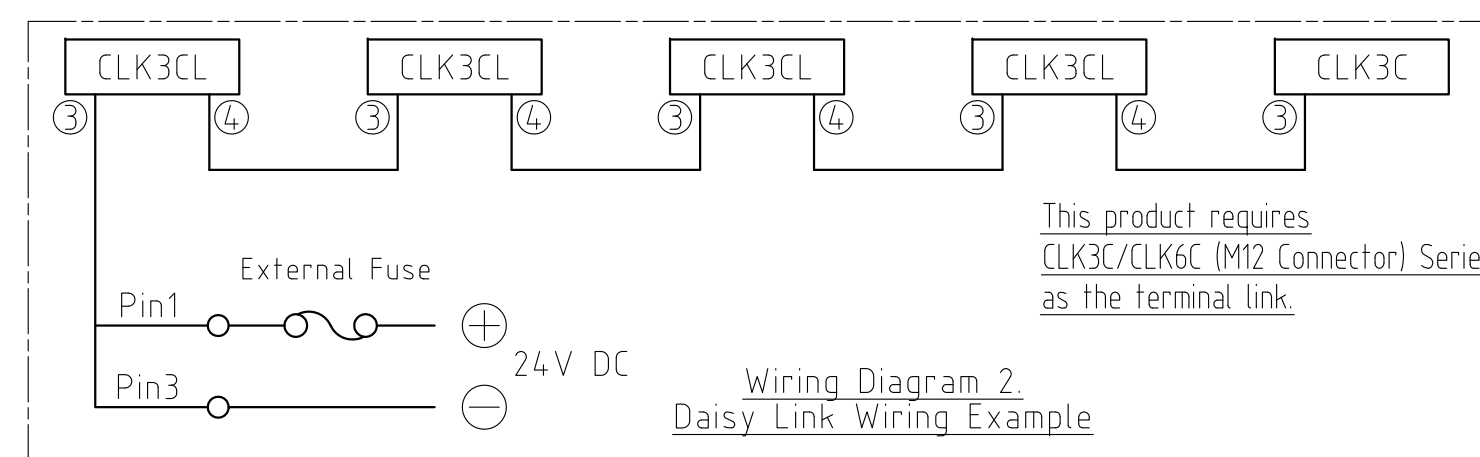
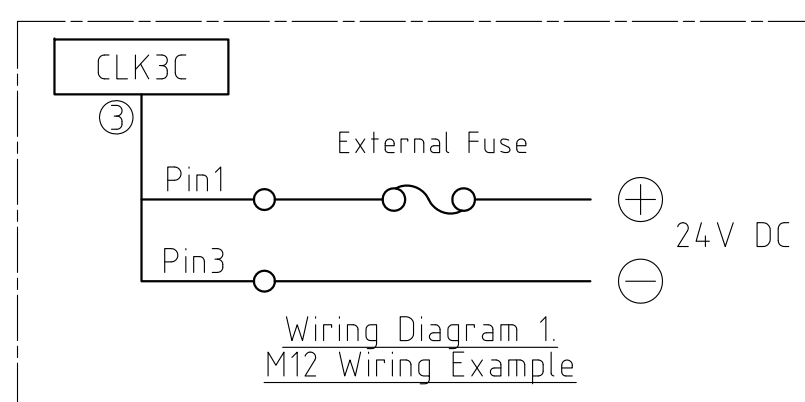
* M12 Socket Parts not included for CLK3C Series.

[Table 2. Optional Cable]

	Order No.	Model	Manufacturer
4-wire M12 Socket Cable, 5m length	1536308	SAC-4P-5,0-PUR/FS SCO	Phoenix Contact
4-wire M12 Link Cable, 0.6m length	1518892	SAC-4P-MS/0,6-PUR/FS SCO	Corp.

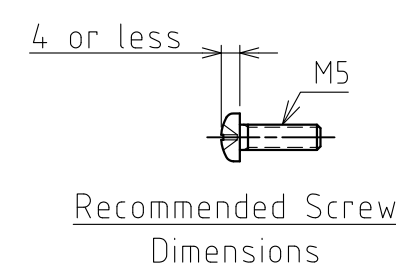
[Table 3. Maximum Links]

	Terminal Links		Daisy Links		Maximum Connections
	CLK3C	CLK6C	CLK3CL	CLK6CL	
I	1		1~4		5
II	1		1~2	0~1	4
III	1			1~2	3
IV		1	1~3		4
V		1	0~1	1	3



[Note]

- Attachment of the product is done by sliding it into the Standard Bracket (Refer to figure on the right). It is also possible to rotate the Standard Bracket 180 degrees to slide it in the opposite direction.
- An option bracket is also available. Part Number: CLK-001,SZ-320KS (Refer to the bracket specifications for details.)
- When making a connection, as in Wiring Diagram 2, it is recommended to use the Option Cable (manufactured by Phoenix Contact Corp) for the M12 Socket, and M12 Link Cable connections.
- When linking together, be sure to use it within the maximum number of links. (Refer to Table3. Maximum Links)



6	Hex Socket Bolt		1	M3×6, Stainless	
5	Standard Bracket		1	Stainless	
4	M12 Socket		Table 1		
3	M12 Plug		1		
2	Glass (Lens)		1	Tempered Glass	
1	Body		1	Aluminium Alloy	
番号	部品名	品目コード	数量	材料 & 寸法 & 処理	記事
No.	Part Name	Part No.	Qty.	Material & Size & Finish	Remarks

CLK3C/CL-24AG
Outer Dimension Drawing
株式会社 パトライト
PATLITE Corporation
CLK3S-24AG-W18E-3_3