

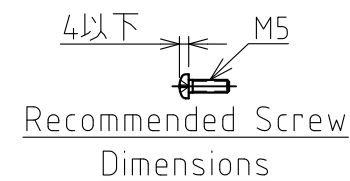
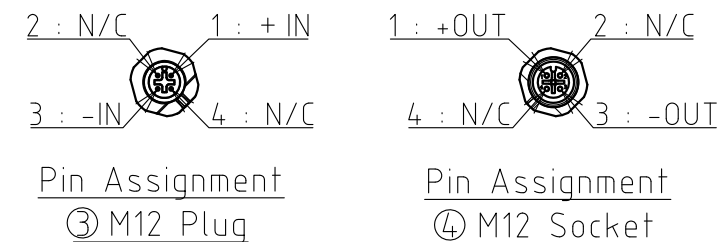
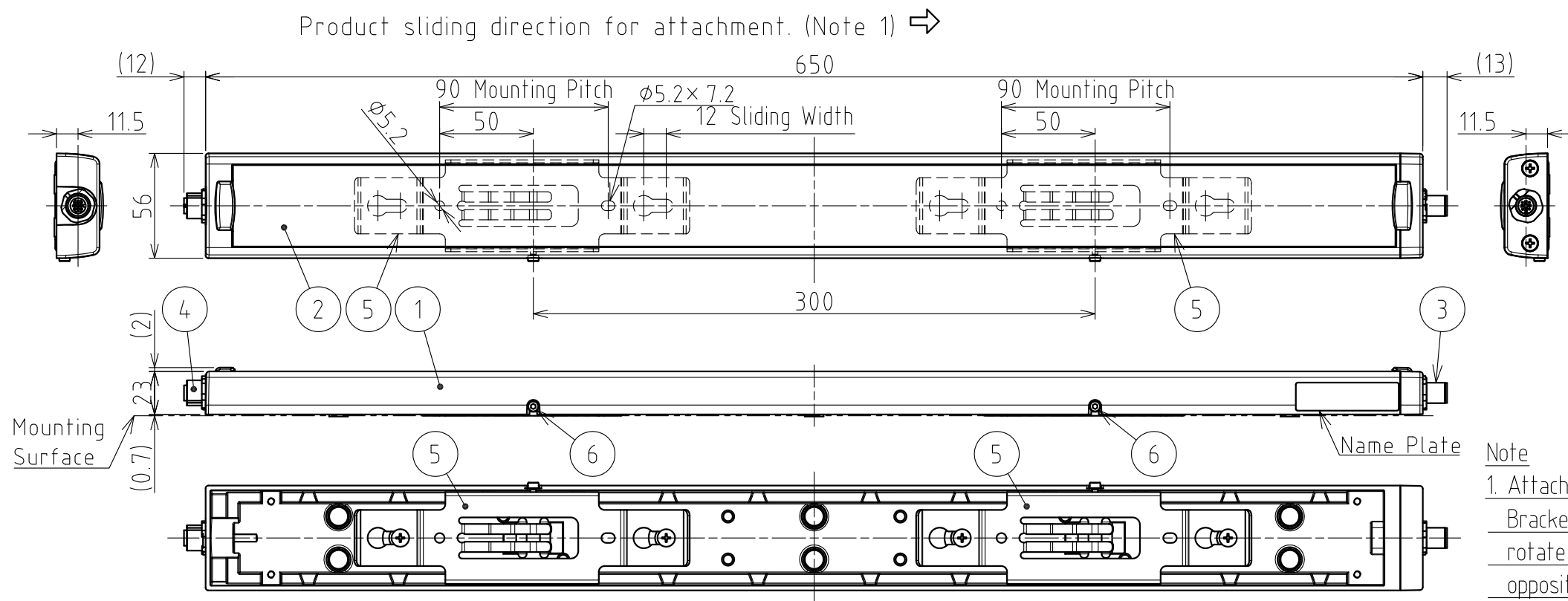
SPECIFICATIONS

[General Specifications]

Model	CLK6CL-24AG		
Color Code	CD		
Luminous Color	Daylight		
Color Temperature (typ.)	6500 K		
Illuminance (typ.) (Center, at 24V DC)	1.0m	2100 lx	
	2.0m	580 lx	
Total Luminous Flux (typ.)	2600 lm		
Rated Voltage	24V DC (Polarized)		
Operating Voltage Range	24V DC ±10%		
Rated Current Consumption	1044 mA ±10%		
Rated Power Consumption	25 W		
Operating Ambient Temperature	-40°C ~ +60°C		
Operating Ambient Humidity	90%RH or less, no condensation		
Main Unit Material	Body: Aluminum Alloy, Lens: Tempered Glass		
Mounting Location	Indoor		
Mounting Direction	All Directions		
Protection Rating	IP66G/67G (JIS C0920) / 69K (DIN 40050 part9)		
Environmental Condition	Except Cable Terminal		
Insulation Resistance	More than 5MΩ at 500V DC between the terminals and the chassis		
Withstand Voltage	500V AC applied for 1min between terminals and chassis without breaking insulation		
Vibration Resistance	19.6 m/s ² (JIS C 0911-1984)		
Mass (Tolerance ±10%)	1070g; Standard Bracket: 76g (Qty: 2 pcs.)		
Dimensions	Refer to Outer Dimension Drawing		
Conformity Standards	UL 2108, CSA-C22.2 No. 250.0 EMC Directive (EN 55015, EN 61000-6-2) RoHS Directive (EN 50581)		
Remarks	<ul style="list-style-type: none"> · Conforms to the CE requirements · UL Recognized Component (File No.E306141) · Specifications may change without notice due to continual product improvement. · Due to the inherent properties of the LED, color variations and hue may occur. · This product's illuminance may be affected when used in airtight conditions. · The results of the Protection Rating is determined with the Optional cables connected during testing. · When using the Optional Daisy Link Cable, a voltage drop may occur due to the current consumption. · Model Number Configuration <div style="text-align: center; margin: 10px 0;"> <p>CLK6CL — 24AG — CD</p> </div> <ul style="list-style-type: none"> <li style="width: 30%;">● Connector Specifications CL : M12 Daisy Link <li style="width: 30%;">● Luminous Color CD : Daylight <li style="width: 30%;">● Main Unit Material AG : Body - Aluminum Alloy Lens - Tempered Glass 		

No. CLK6CL-24AG-W18B-1_2

PATLITE Corporation



- Note
- Attachment of the product is done by sliding it into the Standard Bracket. (Refer to figure on the right.) It is also possible to rotate the Standard Bracket 180 degrees to slide it in the opposite direction.
 - Attach the two standard brackets evenly for installation.
 - An option bracket is also available.
Part Number: CLK-001,SZ-320KS
(Refer to the bracket specifications for details.)
 - For wiring, it is recommended to use the Option Cable.
(Refer to Table1. Optional Cable)
 - When linking together, be sure to use it within the maximum number of links. (Refer to Table2. Maximum Links)

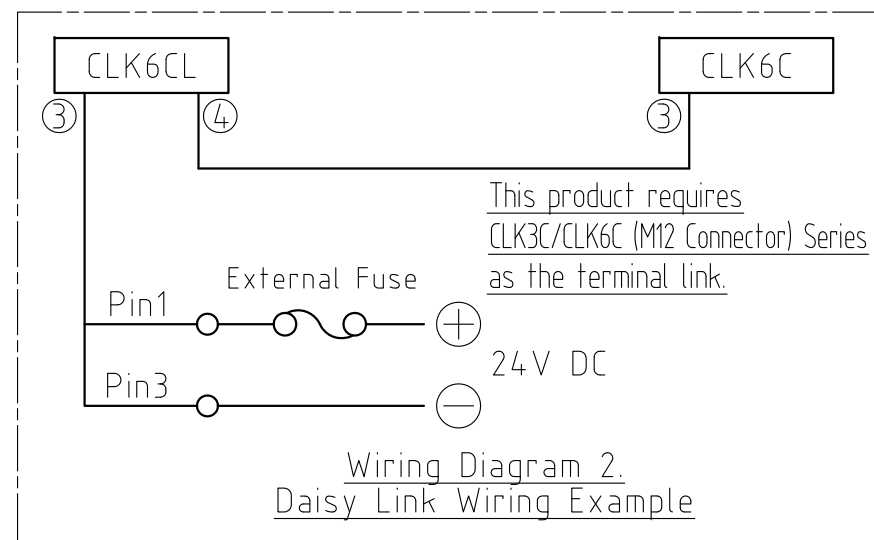
Table2. Maximum Links

	Terminal Links		Daisy Links		Maximum Connections
	CLK3C	CLK6C	CLK3CL	CLK6CL	
I	1		1~4		5
II	1		1~2	0~1	4
III	1		1~2		3
IV		1	1~3		4
V		1	0~1	1	3

Table1. Optional Cable

	Order No.	Model	Manufacturer
4-wire M12 Socket Cable, 5m length	1536308	SAC-4P-5,0-PUR/FS SCO	Phoenix Contact Corp.
4-wire M12 Link Cable, 0.6m length	1518892	SAC-4P-MS/0,6-PUR/FS SCO	

6	Hex. Socket Bolt	-	2	M3×6, Stainless	
5	Standard Bracket	-	2	Stainless	
4	M12 Socket	-	1		
3	M12 Plug	-	1		
2	Glass (Lens)	-	1	Tempered Glass	
1	Body	-	1	Aluminium Alloy	
番号 No.	部品名 Part Name	品目コード Part No.	数量 Qty.	材料 & 寸法 & 処理 Material & Size & Finish	記事 Remarks



外観図面
Outer Dimension Drawing

株式会社 パトライト
PATLITE Corporation

CLK6CL-24AG-W18B-2_2