

SPECIFICATIONS

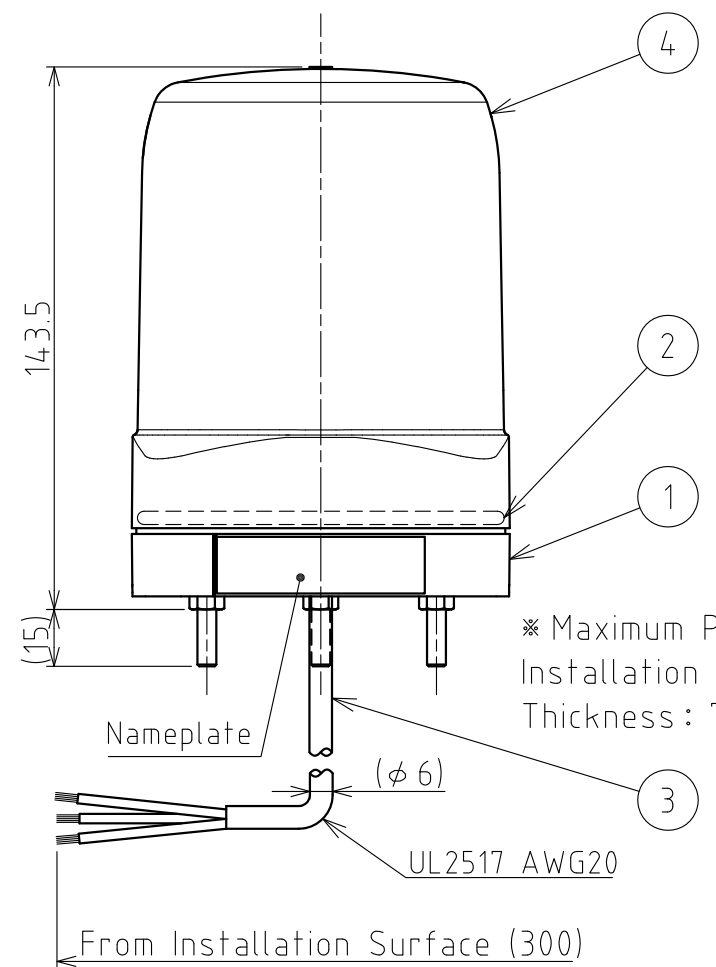
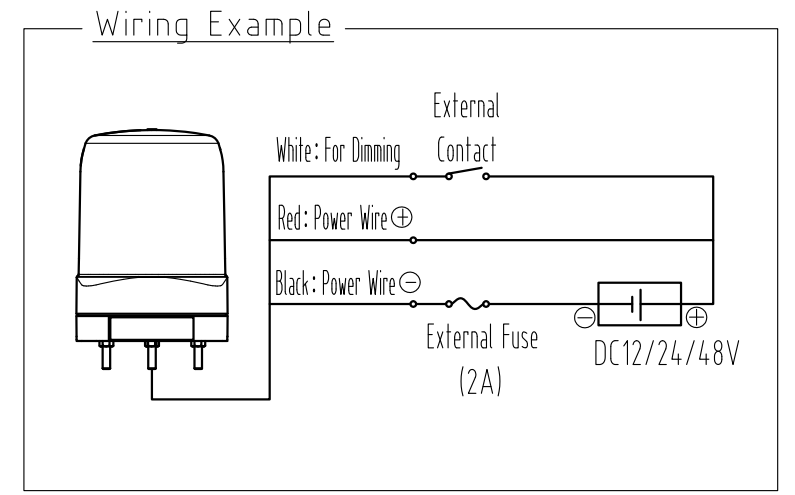
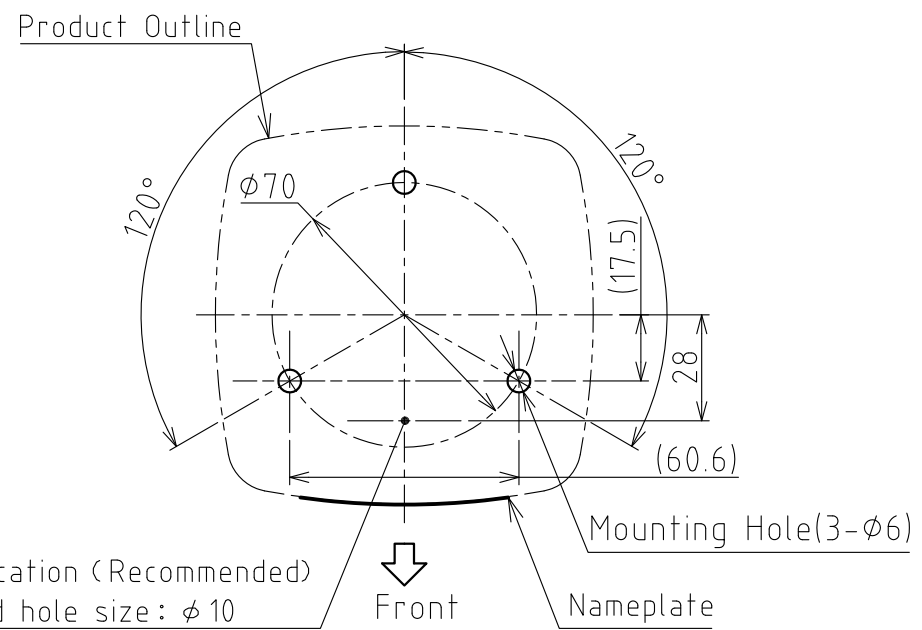
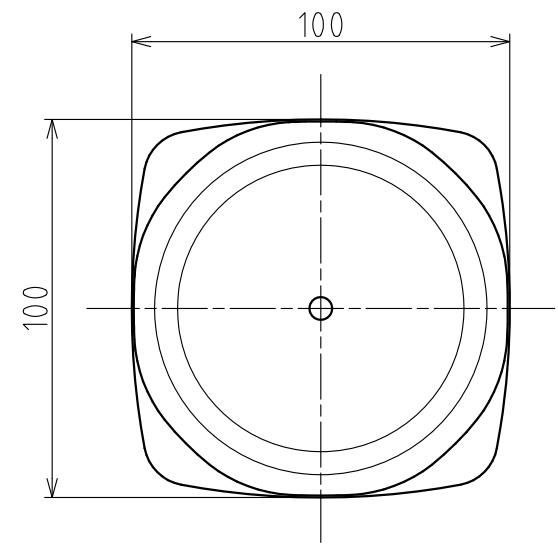
[General Specifications]

Model	LFH-12	LFH-24	LFH-48
Rated Voltage	12V DC	24V DC	48V DC
Operating Voltage Range	9.5V DC ~ 15V DC	20V DC ~ 30V DC	35V DC ~ 60V DC
Signal Wire Current	Typ.	0.42A	0.19A
	Max.	0.50A	0.23A
Rated Power Consumption	Typ.	5.0W	4.5W
	Max.	6.0W	5.5W
Operating Ambient	-30°C ~ +70°C		
Operating Ambient Humidity	Less than 90% (No condensation)		
Storage Ambient Temperature	-40°C ~ +80°C		
Storage Ambient Humidity	Less than 90% (No condensation)		
Mounting Location	Indoors and Outdoors		
Mounting Direction	Upright ,Inverted and Sideways (In a wet environment, Upright only)		
Protection Rating	IP66 (IEC 60529)		
Environmental Condition	Upright Mounting		
Vibration Resistance	90m/s ²		
Insulation Resistance	More than 1MΩ at 500VDC between the terminals and the chassis		
Withstand Voltage	The following voltage is applied for 1 min between terminals and chassis without breaking insulation		
	500V AC	1000V AC	
Flashing Rate	110±10 Flashes Per Minute (Triple Flash Pattern)		
Luminous Intensity	Red:112cd or more Amber: 117cd or more Green: 240cd or more Blue: 52cd or more White: 257cd or more		
Mass (Tolerance ±10%)	570g		
Outer Dimensions	Refer to the "Dimensions" Drawing		
Conformity Standards	UL 1638, CAN/ULC-S526-M87		
	RoHS Directive (EN 50581)		
	EMC Directive (EN 55015, EN 61547)		-
	FCC Part15 SubpartB Class A		-
	ECE Regulation No.10		-
Remarks	UL Listed (File No.S24210) This product conforms to EN standard and shows the CE Marking. (Except for LFH-48) Accessories : Spring Washer (X3) 、 Washer (X3) 、 Nut (X3) 、 Instruction Manual		

No. LFH - . -A18B-1_2

PATLITE Corporation

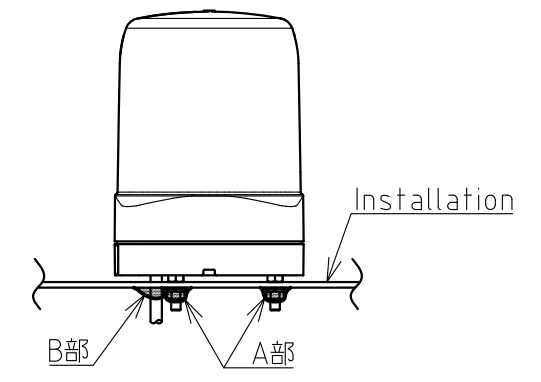
指定 公差 General Tolerance	角度公差 ±[°]						寸法公差 ±[mm]						符号 Sym.	年月日 Date	訂正履歴 Revisions			記印 Sgn.	検印 Chk.	承認 App.		
	短辺 Length of short side	~	~	~	100	~	~	~	~	~	~	~			△	-						
	精 f	1	0.5	0.3	0.1	中 m	0.1	0.3	0.5	0.7	1	△			-							
	粗 v	3	1.5	1	0.5	粗 c	0.3	0.5	1	1.2	2	△			-							



Wire Exit Location (Recommended)
Recommended hole size: φ10

Installation Dimensions

※ To mount the product in the inverted position, seal the mounting bolts(Part-A) and Wire Exit Hole (Part-B) to insulate from water intrusion.



Sealing Instruction Example

Dimensions

4	Globe	-	1	PC resin	Red/Yellow/Green /Blue/Clear
3	Power Supply Wire	-	1		
2	O-ring	-	1	Silicon	Gray
1	Body	-	1	ABS resin	Charcoal gray
番号 No.	部品名 Part Name	品目コード Part No.	数量 Qty.	材料 & 寸法 & 処理 Material & Size & Finish	記事 Remarks

図名 Name			Specifications		機種名 Model		特注No. S.P.No.
図名 Name			Dimensions		LFH-12/24/48		
図名 Name					品目コード Part No.		
三角法 3rd Angle P.	単位 Unit mm	尺度 Scale 1:2	株式会社 パトライト PATLITE Corporation		図番 Drawing No. LFH--A18B-2_2		