

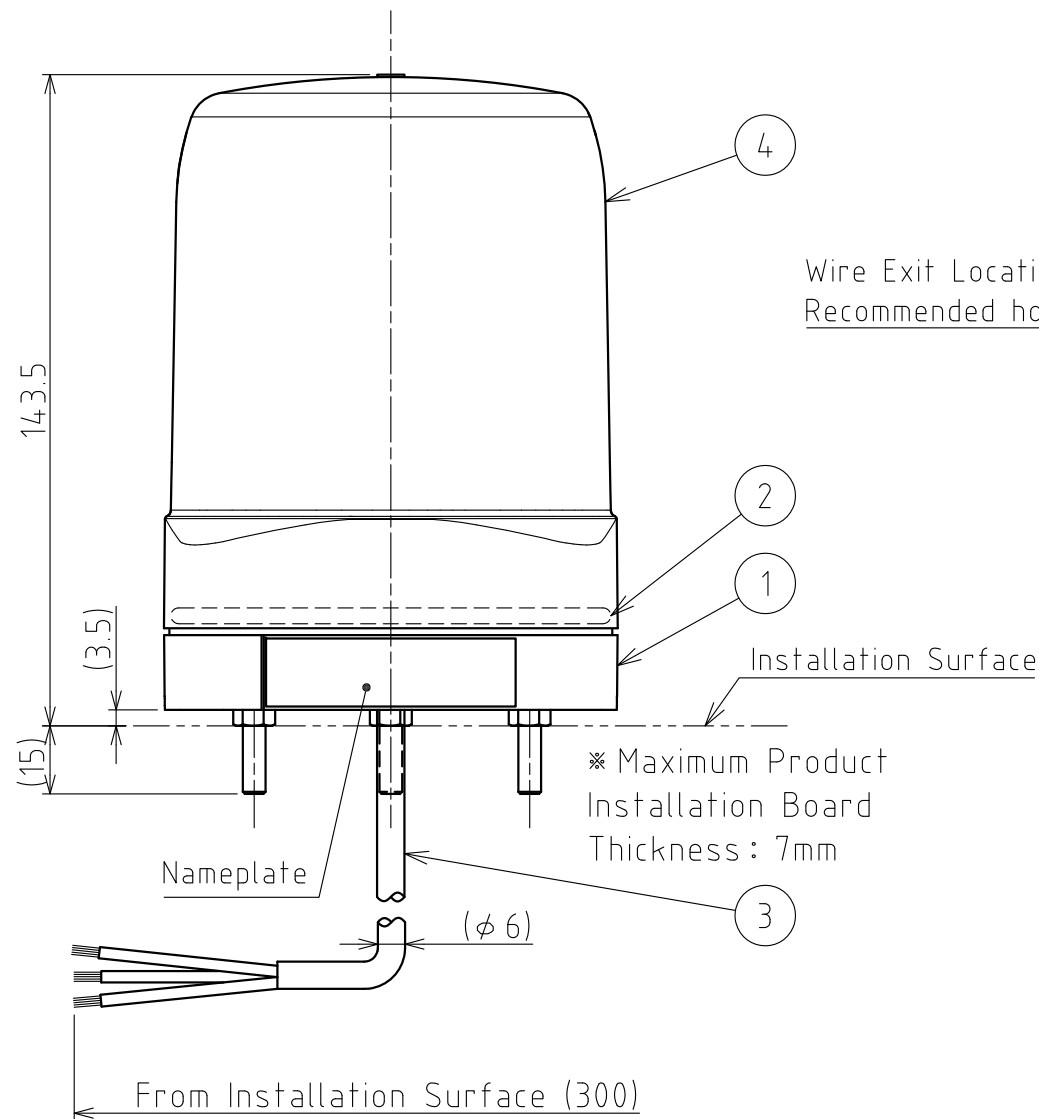
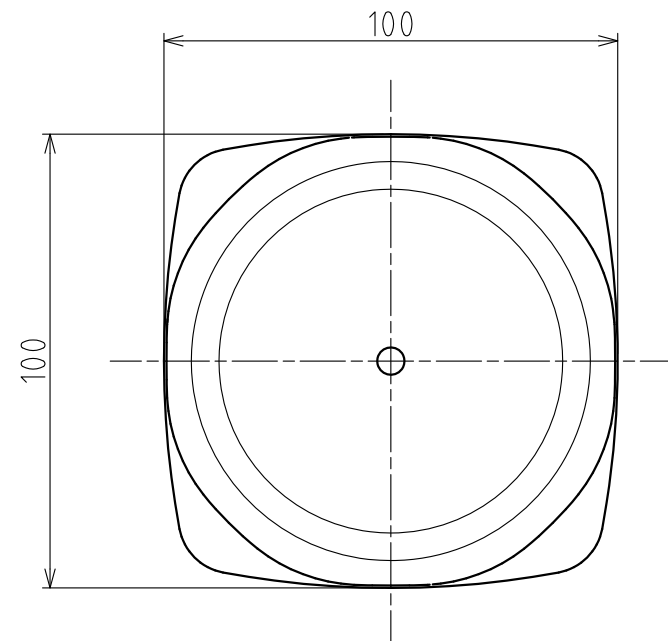
# SPECIFICATIONS

[General Specifications]

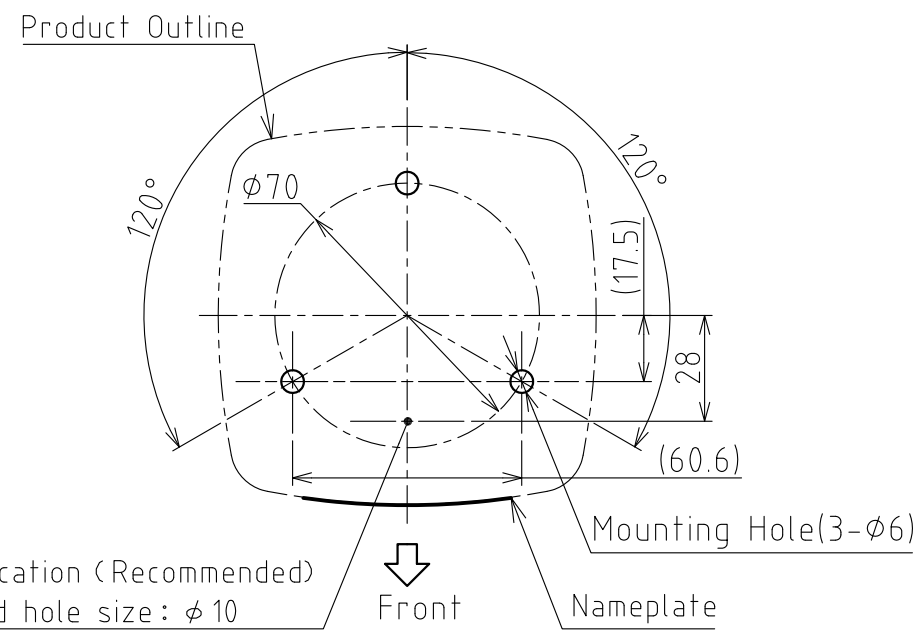
Model	LFH-12S	LFH-24S	LFH-48S
Rated Voltage	12V DC	24V DC	48V DC
Operating Voltage Range	9.5V DC ~ 15V DC	20V DC ~ 30V DC	35V DC ~ 60V DC
Signal Wire Current	Typ.	0.42A	0.19A
	Max.	0.50A	0.23A
Rated Power Consumption	Typ.	5.0W	4.5W
	Max.	6.0W	5.5W
Operating Ambient	-30°C ~ +70°C		
Operating Ambient Humidity	Less than 90% (No condensation)		
Storage Ambient Temperature	-40°C ~ +80°C		
Storage Ambient Humidity	Less than 90% (No condensation)		
Mounting Location	Indoors and Outdoors		
Mounting Direction	Upright ,Inverted and Sideways (In a wet environment, Upright only)		
Protection Rating	IP66 (IEC 60529)		
Environmental Condition	Upright Mounting		
Vibration Resistance	90m/s <sup>2</sup>		
Insulation Resistance	More than 1MΩ at 500VDC between the terminals and the chassis		
Withstand Voltage	The following voltage is applied for 1 min between terminals and chassis without breaking insulation.		
	500V AC	1000V AC	
Flashing Rate	140±14 Flashes Per Minute (Triple Flash Pattern)		
Luminous Intensity	Red:112cd or more Amber: 117cd or more Green: 240cd or more Blue: 52cd or more White: 257cd or more		
Mass (Tolerance ±10%)	570g		
Outer Dimensions	Refer to the "Dimensions" Drawing		
Conformity Standards	ECE Regulation No.10		-
Remarks	There are no contents of controlled substances exceeding the threshold for the RoHS Directive. Accessories : Spring Washer (X3) 、 Washer (X3) 、 Nut (X3) 、 Instruction Manual		

No. LFH - . S-W18B-1\_2

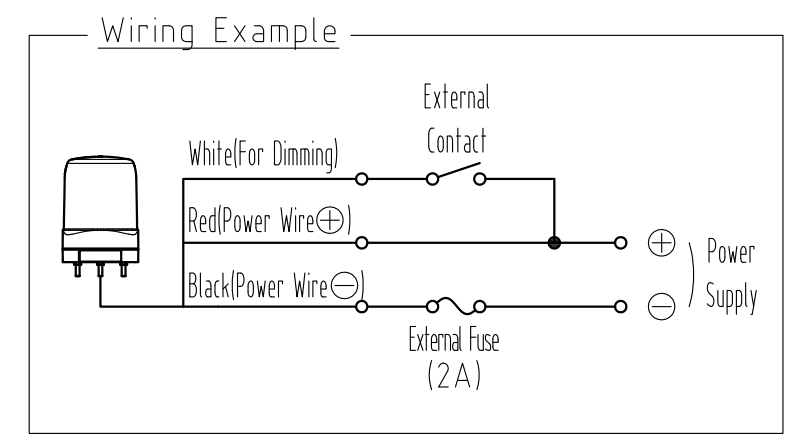
## PATLITE Corporation



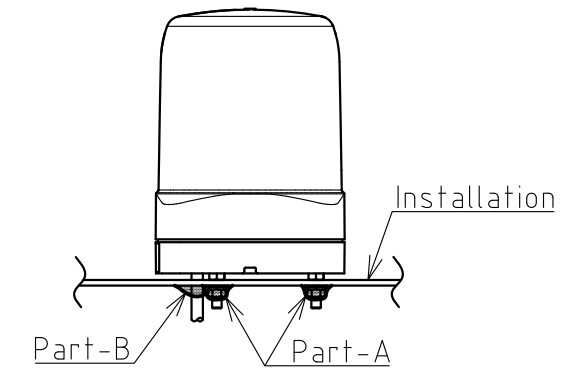
Dimensions



Installation Dimensions [1:2]



\* To mount the product in the inverted position, seal the mounting bolt(Part-A) and Wire Exit Hole(Part-B) to insulate from water intrusion.



Sealing Instruction Example

4	Globe	-	1	PC resin	Red/Amber/Green /Blue/Clear
3	Power Supply Wire	-	1	UL2517 AWG20×3c	
2	O-ring	-	1	Silicon	gray
1	Body	-	1	ABS resin	Charcoal gray
番号 No.	部品名 Part Name	品目コード Part No.	数量 Qty.	材料 & 寸法 & 処理 Material & Size & Finish	記事 Remarks

外観図面  
Outer Dimension Drawing

株式会社 パトライト  
PATLITE Corporation

LFH-S-W18B-2\_2