

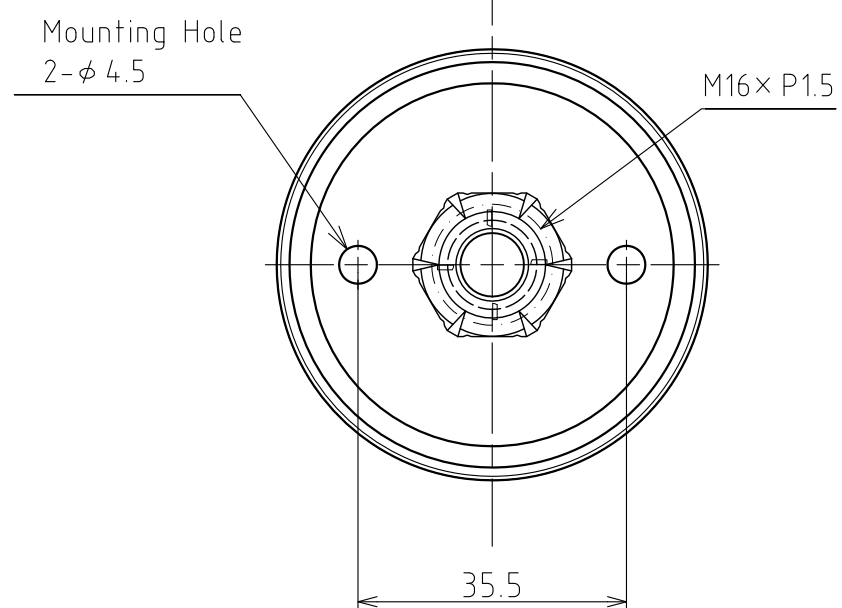
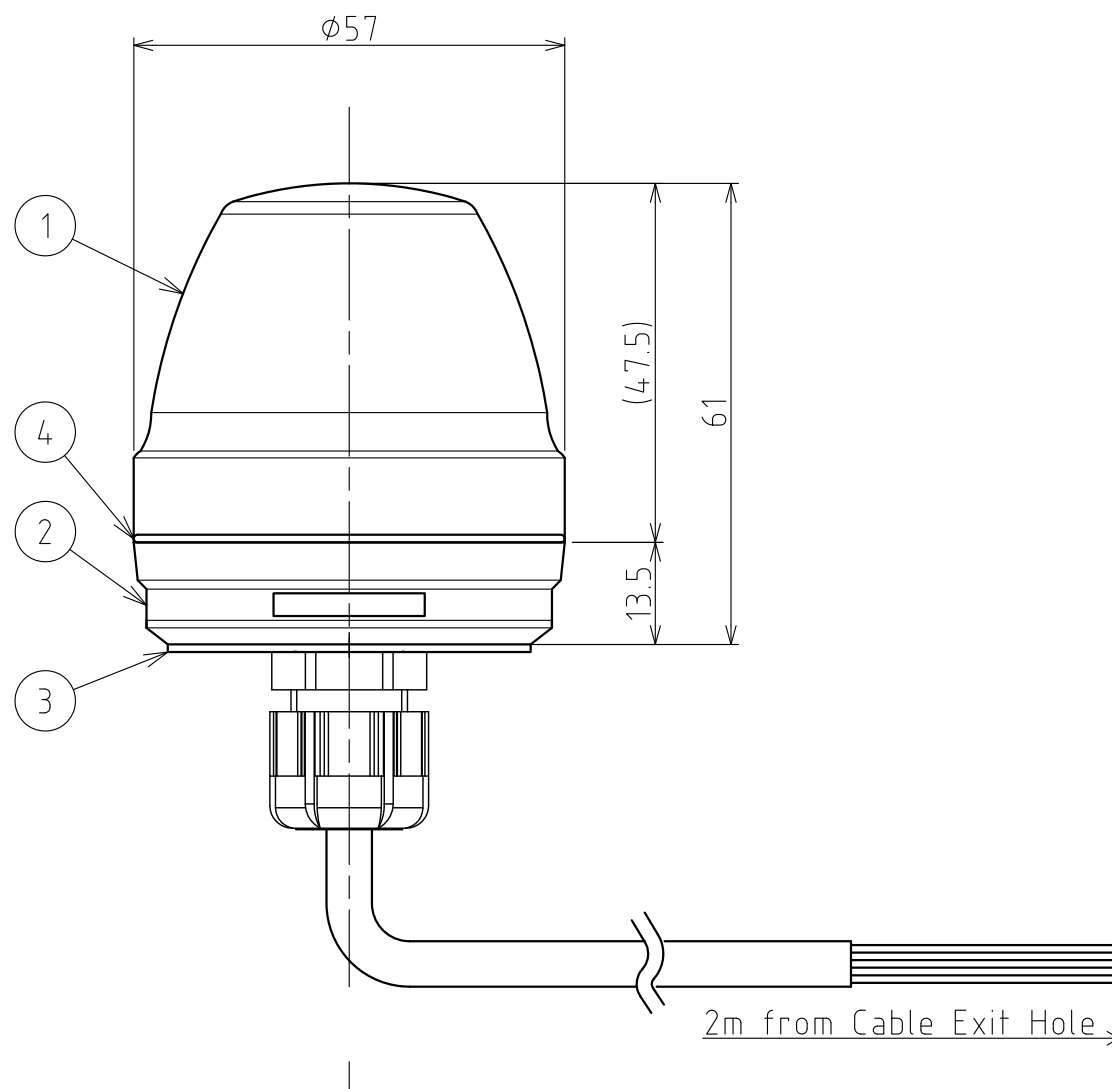
SPECIFICATIONS

[General Specifications]

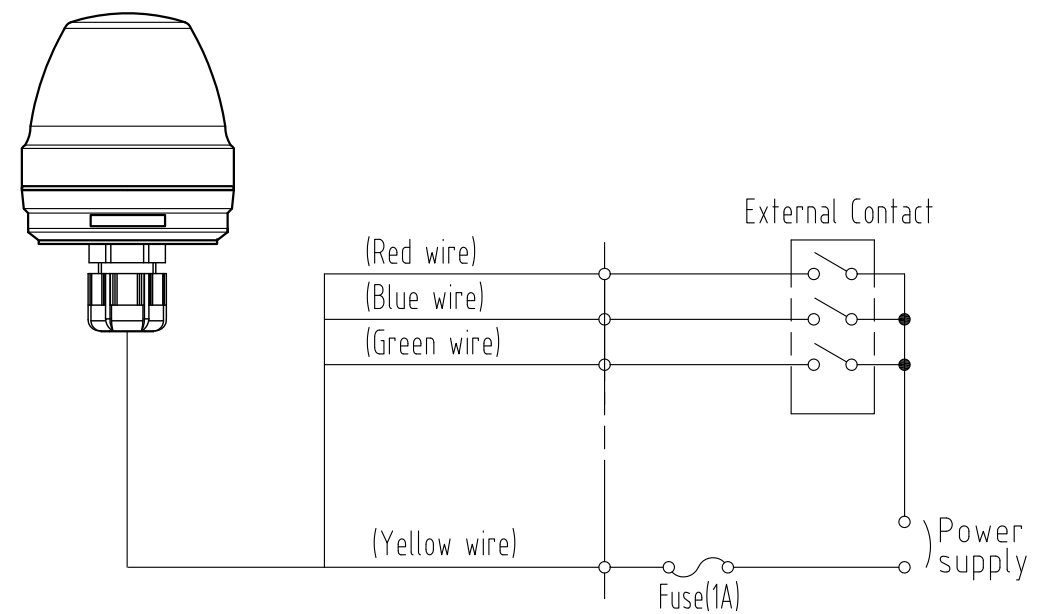
Model	NE-M1-CL7+B0953	
Rated Voltage	12 - 24 V DC	
Operating Voltage Range	10 ~ 30 V DC	
Signal Wire Current	Typ.	Red: 50mA Yellow: 53mA Green: 44mA Blue: 48mA White: 53mA Purple: 56mA Cyan: 53mA
Operating Ambient Temperature	-20 °C to +50 °C	
Operating Ambient Humidity	Less than 90% (No condensation)	
Storage Ambient Temperature	-30 °C to +60 °C	
Storage Ambient Humidity	Less than 90% (No condensation)	
Mounting Location	Indoors	
Mounting Direction	All Directions	
Protection Rating	IP66/67 (IEC 60529)	
Environmental Condition	All Directions	
Vibration Resistance	19.6m/s ² (IEC 60068-2-6)	
Insulation Resistance	More than 1MΩ at 500V DC between the cable core and the outer resin	
Withstand Voltage	500V AC applied for 1min between the cable core and the outer resin without breaking	
Luminous Intensity	Red: 350mcd Yellow: 610mcd Green: 850mcd Blue: 190mcd White: 430mcd Purple: 280mcd Cyan: 520mcd	
Mass (Tolerance ±10%)	150g	
Outer Dimensions	Refer to the Outer Dimension Drawing	
Conformity Standards	EMC Directive (EN 61000-6-4, EN 61000-6-2) RoHS Directive (EN 50581) UL 508, CSA-C22.2 No. 14	
Remarks		

NE-B953-W18B-1_2

PATLITE Corporation



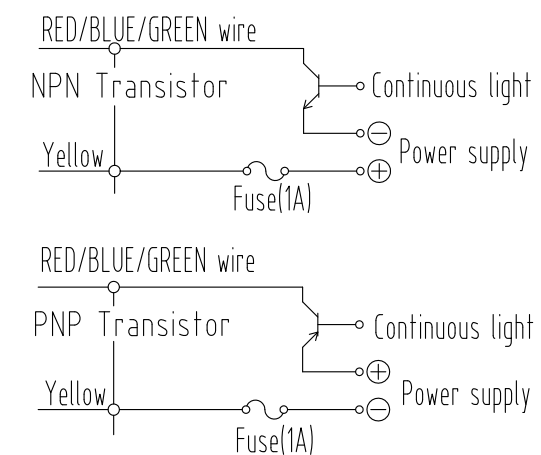
Wiring Example



Color Chart

Wiring	LED Color
RED	Red
GREEN	Green
BLUE	Blue
Red + Green	Yellow
Blue + Green	Cyan
Red + Blue	Purple
Red+Green+Blue	White

Transistor drive



4	O-ring	-	1	Silicon	Gray
3	Waterproof sheet	-	1	NBR, t=1.0, 60°	Black
2	Body	-	1	ABS	Light gray
1	Globe	-	1	PC	Milky White
番号 No.	部品名 Part Name	品目コード Part No.	数量 Qty.	材料 & 寸法 & 処理 Material & Size & Finish	記事 Remarks

外観図面
Outer Dimension Drawing

株式会社 パトライト
PATLITE Corporation

NE-B953-W18B-2_2