

Signal Light

INSTALLATION MANUAL

TYPE : NE-M1-CL7

Thank you for purchasing our PATLITE product for your application. Please read these instructions carefully before performing installation, maintenance and repair. Store this manual carefully for future reference. If there are any questions regarding this product, please contact your PATLITE Sales Representative.

NOTES TO BE OBSERVED FOR SAFE OPERATION

In order to prevent any damage to the user and other personnel or to assets, note the following:

■ The indications for warning are divided into the following classes according to the degree of danger or damage incurred when the warning is not taken into consideration and the product is not correctly used.

- Warning** Indicates an imminently dangerous condition: Failure to follow the instructions may lead to death or serious injury.
- Caution** Indicates a potentially dangerous condition: Failure to follow the instructions may lead to slight injury or property damage.

1. To operate this product safely, please observe the following

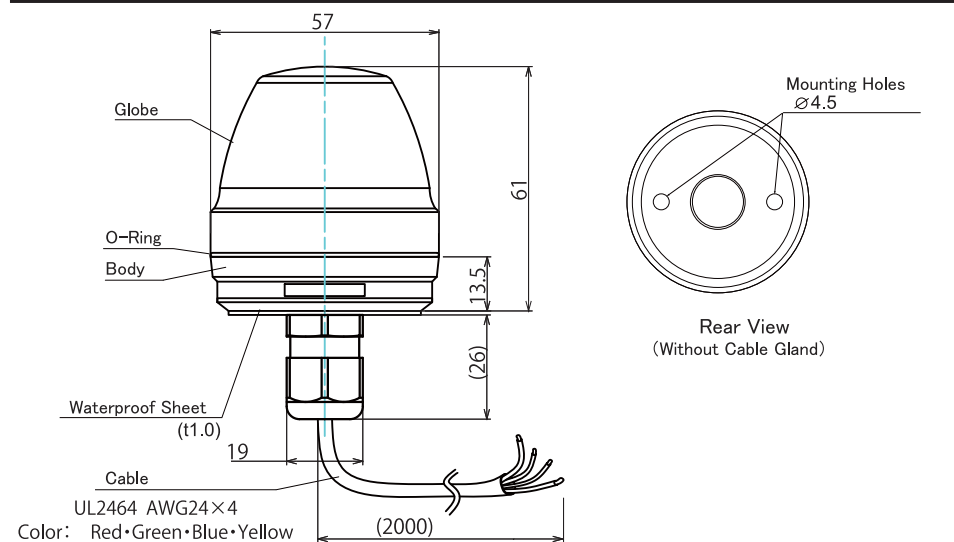
- Warning**
 - Make sure the power is off before wiring, repairing, or replacing parts to avoid a short-circuit, electric shock, or burn.
 - Do not use this product with the globe damaged or removed in order to avoid an electric shock.
 - If installing this product requires construction work, please ask a specialist in order to avoid electric shock, fire, or personal injury.
 - When this product is used for security purposes, it should be inspected daily. In case a malfunction should occur, it is recommended that you use this product together with other security products.
 - Do not use this product to support your weight while climbing onto a machine. Mount the product so that it is clear of any moving parts - such as a machine cover.
- Caution**
 - For safety, make sure to connect an external fuse to the power source as shown in the wiring example.
 - Do not disassemble or detach during operation.

2. Model Number Configuration

NE - M1 - CL7

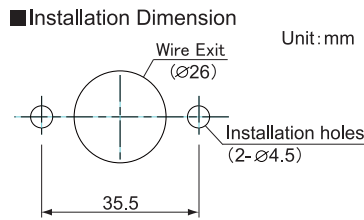
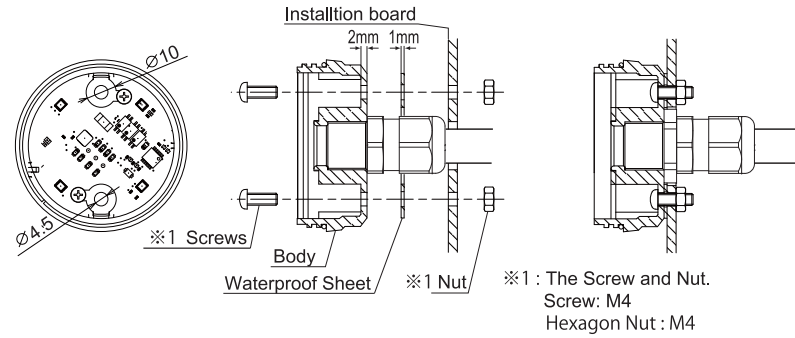
■ Voltage: 10 ~ 30V DC
 ■ Number of LED Colors: CL7: 7 Colors

3. Part Names and Dimensions



4. Installation

- Installation
- (1) Remove the globe by turning it to the left (counter-clockwise).
 - (2) Punch the indentations in the body to make two mounting holes.
 - (3) Place the waterproof sheet onto body, by peeling-off the release paper from the waterproof sheet.
 - (4) Affix it to the installation surface with screws and nuts.
 - (5) Re-attach the globe turning it to the right (clockwise).
- Please select an installation location with enough strength and low vibration.
 - When waterproofing, apply a sealing coating onto the nuts on the backside of the installation surface.



Caution

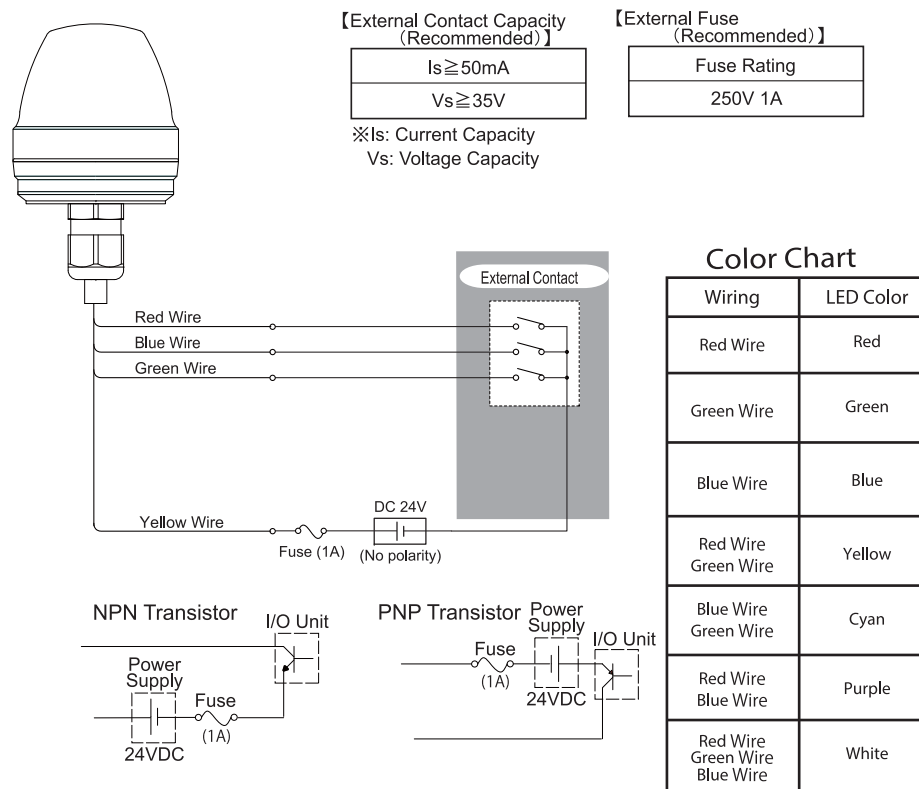
- This product is for direct mounting and indoor use only. (Not for outdoor use.)
- Do not use this product with the globe removed.
- Use a soft, moist cloth to wipe the globe or body with. (Do not use thinner, benzene, gasoline or oil.)
- The waterproof sheet must be used when installing.
- When the installed surface is not flat enough and water intrusion cannot be avoided, please provide a sealed coating between the surface and the product around the wire exit hole.
- For use on a flat surface with a Type 1 enclosure when device is installed as intended.

5. Wiring

Caution

- Make sure the power is OFF before wiring. A short circuit may damage internal circuits or cause an electric shock.
- Verify the proper operating voltage of the product.
- Do not pull out the wire or push it into the body.
- Pay attention to proper wiring because any mistake in circuit wiring may cause damage.
- Install an external fuse on the power supply side, as shown in the wiring example in order to prevent internal circuit damage in case of a wiring error.
- Do not touch the LED when wiring.

Wiring Example



6. Specifications

Model	NE-M1-CL7				
Operation Voltage Range	10 ~ 30V DC (Non-polar)				
Maximum Current Consumption	Red	Yellow	Green	Blue	Cyan
	50mA	53mA	44mA	48mA	53mA
	Purple	White			
	56mA	53mA			
Material	Globe	PC			
	Body	ABS			
	O-ring	Silicon rubber			
Mounting Direction	All Directions				
Operating Temperature Range (Relative Humidity)	-20°C ~ +50°C (Less than 90%RH)				
Vibration Resistance	19.6 m/s ²				
Mass	150g				

- Maximum ambient temperature rating of 50°C.
- This product conforms to EN standard and shows the CE Marking. This product has been tested and found to comply with the limits for a Class A device, pursuant to EMC DIRECTIVE. These limits are designed to provide reasonable protection against harmful interference when the equipment is operated in a commercial environment. This product must not be used in residential areas.
- This equipment has been tested and found to comply with the limits for a Class A digital device, pursuant to Part 15 of the FCC Rules. These limits are designed to provide reasonable protection against harmful interference when the equipment is operated in a commercial environment.

Caution

- PATLITE Corporation disclaims all liability for any malfunction or damage occurring as a result of handling, contrary to the instructions, cautions and warnings mentioned in this manual.
- Specifications may change without notice due to continual product improvement.

世界中に「安心・安全・産業」をお届けする
株式会社 パトライト J2D
<http://www.patlite.co.jp>
 【受付】平日 9:00 ~ 17:00
 平日 12:00 ~ 13:00 及び 土・日・祝日・
 社休日 は留守番電話による対応 ● 技術・修理相談窓口 (無料) : 0120-497-090
 ※ご注文・価格・商品内容等は、各営業所拠点または販売店にお問い合わせください。

PATLITE Corporation G2G

PATLITE Corporation ※Head office ■ <http://www.patlite.com/>
 4-1-3, Kyutaromachi, Chuo-ku, Osaka 541-0056 Japan

PATLITE (U.S.A.) Corporation ■ <http://www.patlite.com/>
PATLITE Europe GmbH ※Germany ■ <http://www.patlite.eu/>
PATLITE (SINGAPORE) PTE LTD ■ <http://www.patlite.com/>
PATLITE (CHINA) Corporation ■ <http://www.patlite.cn/>
PATLITE KOREA CO., LTD. ■ <http://www.patlite.co.kr/>
PATLITE TAIWAN CO., LTD. ■ <http://www.patlite.tw/>
PATLITE (THAILAND) CO., LTD. ■ <http://www.patlite.co.th/>