

# LED Work Light Instruction Manual [ Model : CWK ]

Thank you for purchasing the LED Work Light for your application. Prior to installation, please read through this manual for proper installation and precautionary steps. In addition, please store this manual for future reference when performing maintenance, repairs or inspections. If you have any questions regarding this product, please contact our PATLITE Sales Representative.

## Safety Precautions

In order to prevent any damage to the user and other personnel or to assets, note the following:

◆ The following symbols classifies the following precautions into two categories and explains the level of harm inflicted when caution is disregarded while using this product.

	<b>Warning</b>	Displays the warning "Failure to follow warning may lead to death or severe injury".
	<b>Caution</b>	Displays the warning "Failure to follow caution may lead from light to medium injury or may lead to property loss or injury to others".

◆ The following symbols indicate and explains the nature of the information to be observed.

	This symbol indicates "Prohibited", which should not be carried out by all means.
	This symbol indicates "Enforced", which should be observed and carried out by all means.

## 1. For safe application, observe the following:

**Warning**

[Prohibited]

- Do not disassemble or modify this product. Failure to comply may result in electric shock or fire.
- After installing this product, be careful not to use this product to climb onto a machine, or to get anything snagged onto this product while it is mounted on equipment, etc. Failure to comply may result in falling off the machinery or product damage may occur.

[Enforced]

- Be sure to disconnect the power when wiring, mounting, exchanging, or repairing the product. Failure to comply may result in damage of the internal circuitry and the danger of electric shock due to short-circuiting.
- Request the installation and wiring to be accompanied by a professional contractor. Failure to comply may result in electric shock, fire, or falling from high places.
- When this product is used for security purposes, it should be inspected daily, and to be used in conjunction with other security products, in case a malfunction should occur.
- Verify the installation location is a firm location which can handle the weight of the product and has no adverse vibrations. If installed in a place where vibration is frequent and/or exceeds the specifications, damage to the product may occur.
- The designated screws should be used for installation. Any parts used that are not specified may result in product damage or personal injury.

**Caution**

[Prohibited]

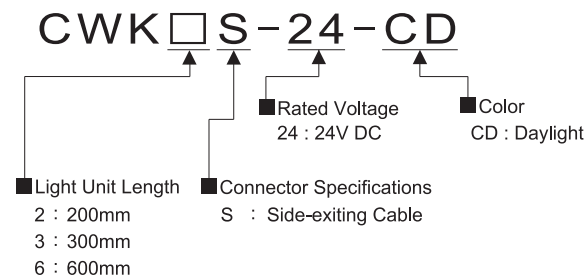
- In order to avoid danger to the eyes, do not stare into the beam, do not view directly into the optical instrument, and don't turn the beam towards someone's eyes. The LED beam is hazardous to the eyes.
- Do not loosen any body screws. It will have an adverse effect on the protection rating.

[Enforced]

- Verify that the specified operating voltage is not exceeded.
- For safety measures, be sure to connect an external fuse to protect from overcurrents or overvoltages from mis-wiring, etc. The product can be protected by short-circuiting due to mis-wiring and overcurrents or overvoltages which can damage it.
- Avoid installation in the following locations:
  - Near space heaters or places where high s are present.
  - In locations where chemical or explosive gasses, etc., are present.

## 2. Model Number Configuration

### 2-1. Model Number Configuration

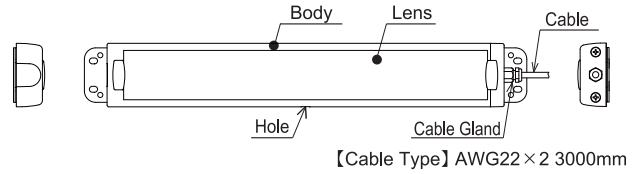


### 2-2. Model List / Accessory

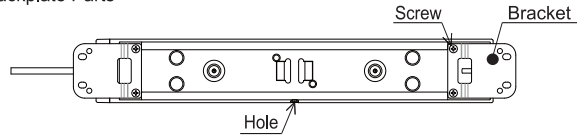
CWK□S-24-CD	Body (Cable with Cable Gland) Bracket, M4×8 Screw, Instruction Manual
-------------	--

## 3. Part Names and Dimensions

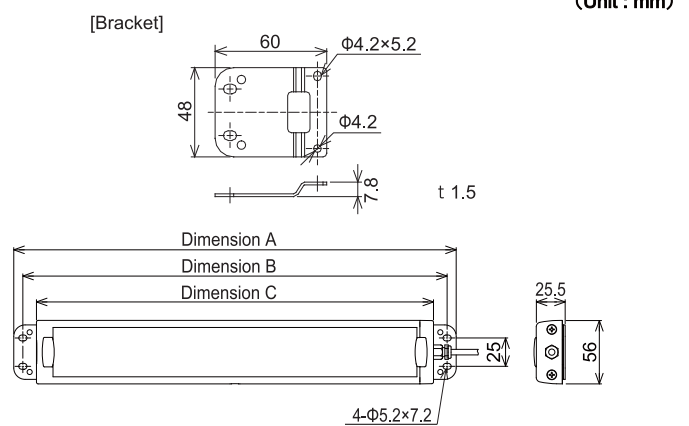
### 3-1. Part Names and Dimensions



### ◆ Backplate Parts



### ◆ Dimensions



[Table1. Dimensions]

Model	Dimension A	Dimension B	Dimension C
	Full Length	Mounting Pitch	Body Length
CWK2S-24-CD	290	274	250
CWK3S-24-CD	390	374	350
CWK6S-24-CD	690	674	650

## 4. Installation

### 4-1. Installation Location

- ◆ Suitable for wet or damp location.

**Warning**

[Prohibited]

- Do not modify or disassemble the product. Failure to comply may result in electric shock or fire.
- After installing this product, be careful not to use this product to climb onto a machine, or to get anything snagged onto this product while it is mounted on equipment, etc. Failure to comply may result in falling off the machinery or product damage may occur.

[Enforced]

- To prevent from electrocution, disconnect power prior to mounting or performing maintenance.
- Verify the installation location is a firm location which can handle the weight of the product and has no adverse vibrations. If installed in a place where vibration is frequent and/or exceeds the specifications, damage to the product may occur.
- The designated screws should be used for installation. Any parts used that are not specified may result in product damage or personal injury.

**Caution**

[Enforced]

- Ensure this product is securely mounted, to prevent from falling, etc.
- This product is for indoor use only. (Not for outdoor use)

### 4-2. Mounting Direction

- ◆ The attachment direction common to all the models is shown.

◆ Beware of the following:

- To prevent liquid to accumulate, install with the "Hole" in the downward direction. (When Horizontal)

