

<h1>SPECIFICATIONS</h1>		
-------------------------	--	--

[General Specifications]

Product Name		LED Work Light		
Model		CWF3S-M2U-CD	CWF6S-M2U-CD	CWF9S-M2U-CD
Rated Voltage		100-240V AC (50/60Hz)		
Operating Voltage Range		Rated Voltage $\pm$ 10%		
Rated Current Consumption	Max.	0.06 A	0.13 A	0.17 A
Rated Power Consumption	Typ.	5 W	10 W	15 W
Luminous Color		Daylight		
Color Temperature	Typ.	5700 K		
Total Luminous Flux	Typ.	500 lm	1000 lm	1500 lm
Illuminance (1m , Center)	Typ.	150 lx	320 lx	445 lx
Operating Ambient Temperature		-20 °C to +50 °C		
Operating Ambient Humidity		Less than 90% (No condensation)		
Mounting Location		Indoor		
Mounting Direction		All Directions		
Protection Rating		IP20		
Environmental Condition		All Directions		
Insulation Resistance		More than 5M $\Omega$ at 500VDC between live part and non-current carrying metallic part		
Withstand Voltage		1500VAC applied for 1min between live part and non-current carrying metallic part without breaking insulation		
Mass (Tolerance $\pm$ 10%)		530 g	680 g	840 g
Outer Dimensions		Refer to the Outer Dimension Drawing		
Conformity Standards		UL 1598 , CSA C22.2 No. 250.0 FCC Part 15 Subpart B Class A		
Remarks		Specifications and dimensions may change without prior notice for improvements, etc. Due to the characteristics of the LED, color temperature, brightness and hue will differ for every LED and every product.		

[Model Number Configuration]

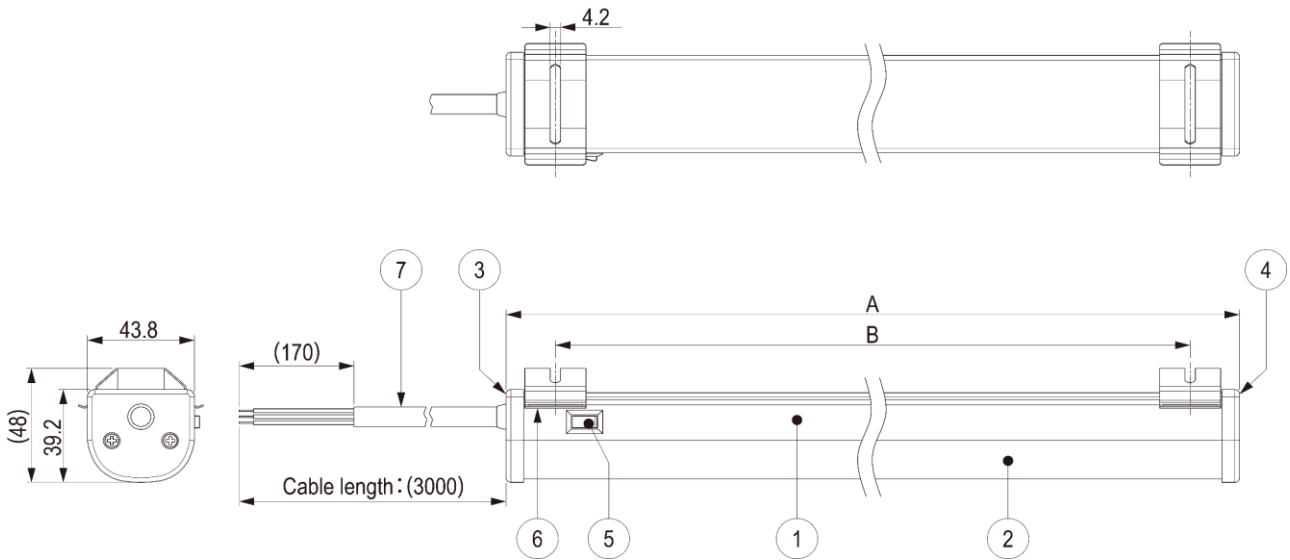
Model		Rated Voltage		Luminous Color
CWF	↓	S	-	M2U - CD

<table border="1" style="width: 100%;"> <tr><td colspan="2">Length</td></tr> <tr><td>3</td><td>300mm</td></tr> <tr><td>6</td><td>600mm</td></tr> <tr><td>9</td><td>900mm</td></tr> </table>	Length		3	300mm	6	600mm	9	900mm	<table border="1" style="width: 100%;"> <tr><td colspan="2">Rated Voltage</td></tr> <tr><td>M2U</td><td>100-240V AC</td></tr> </table>	Rated Voltage		M2U	100-240V AC
Length													
3	300mm												
6	600mm												
9	900mm												
Rated Voltage													
M2U	100-240V AC												

Luminous Color	
CD	Daylight

[Outer Dimension Drawing]

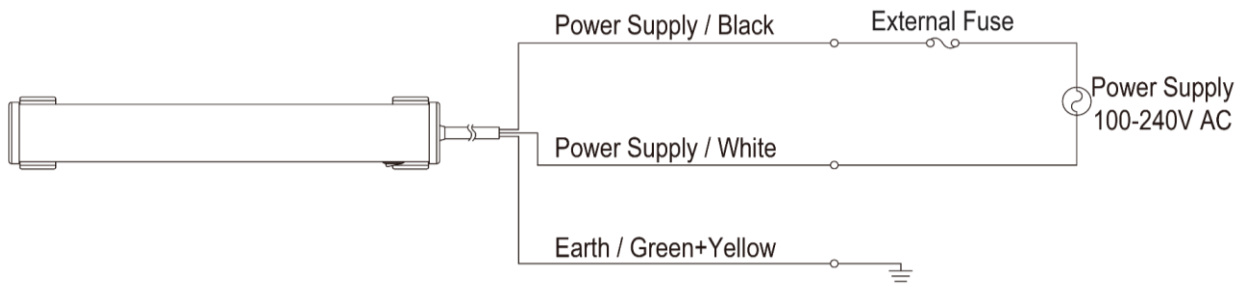
[ Unit : mm ]



Model Name	Dim.A	Dim.B
	Maximum	Mounting Pitch
CWF3S-M2U-CD	300	260
CWF6S-M2U-CD	600	560
CWF9S-M2U-CD	900	860

Number	Name	Material etc
1	Frame	AL
2	Cover	PC
3	Cap A	PC
4	Cap B	PC
5	Switch	-
6	Bracket	Spring Steel
7	Cable	UL SJT

[Wiring Diagram]



Cable : UL SJT 3C AWG18