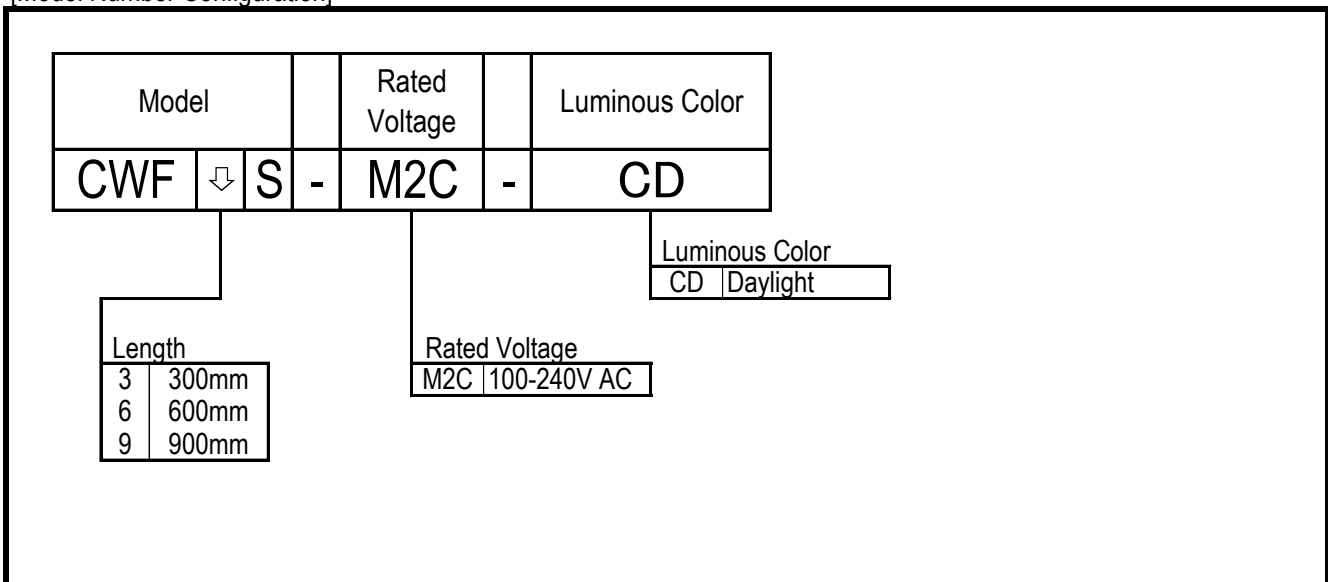


<h1>SPECIFICATIONS</h1>		
-------------------------	--	--

[General Specifications]

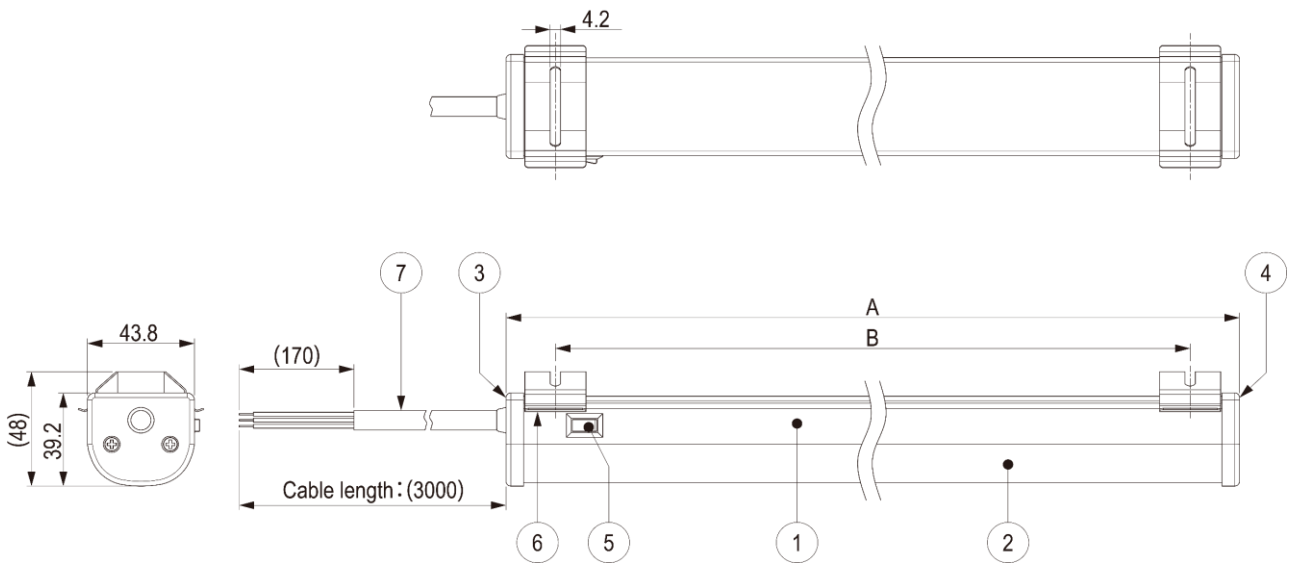
Product Name	LED Work Light		
Model	CWF3S-M2C-CD	CWF6S-M2C-CD	CWF9S-M2C-CD
Rated Voltage	100-240V AC (50/60Hz)		
Operating Voltage Range	Rated Voltage $\pm 10\%$		
Rated Current Consumption	Max. 0.06 A	0.13 A	0.17 A
Rated Power Consumption	Typ. 5 W	10 W	15 W
Luminous Color	Daylight		
Color Temperature	Typ. 5700 K		
Total Luminous Flux	Typ. 500 lm	1000 lm	1500 lm
Illuminance (1m , Center)	Typ. 150 lx	320 lx	445 lx
Operating Ambient Temperature	-20 °C to +50 °C		
Operating Ambient Humidity	Less than 90% (No condensation)		
Mounting Location	Indoor		
Mounting Direction	All Directions		
Protection Rating	IP20		
Environmental Condition	All Directions		
Insulation Resistance	More than 5M Ω at 500VDC between live part and non-current carrying metallic part		
Withstand Voltage	1500VAC applied for 1min between live part and non-current carrying metallic part without breaking insulation		
Mass (Tolerance $\pm 10\%$)	460 g	600 g	760 g
Outer Dimensions	Refer to the Outer Dimension Drawing		
Conformity Standards	Low Voltage Directive(EN60598-1,EN60598-2-1,EN62471,EN62031,EN62493,EN61347-1,EN61347-2-13,EN62778) EMC Directive (EN 55015,EN61547,EN61000-3-2,EN61000-3-3) KC (KC60598-1,KC60598-2-1,KN15,KN61547-1,KC61347-1,KC61347-2-13)		
Remarks	Specifications and dimensions may change without prior notice for improvements, etc. Due to the characteristics of the LED, color temperature,brightness and hue will differ for every LED and every product.		

[Model Number Configuration]



[Outer Dimension Drawing]

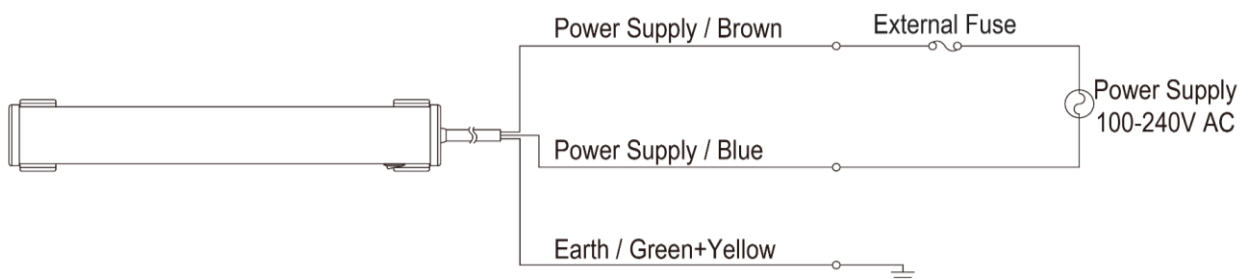
[Unit : mm]



Model Name	Dim.A	Dim.B
	Maximum	Mounting Pitch
CWF3S-M2C-CD	300	260
CWF6S-M2C-CD	600	560
CWF9S-M2C-CD	900	860

Number	Name	Material etc
1	Frame	AL
2	Cover	PC
3	Cap A	PC
4	Cap B	PC
5	Switch	-
6	Bracket	Spring Steel
7	Cable	IEC 60227

[Wiring Diagram]



Cable : IEC 60227 3C AWG18